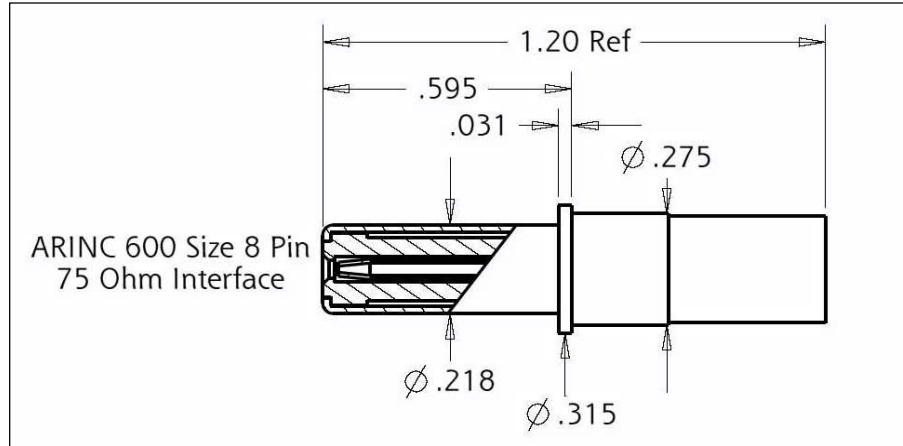


A Division of the Angelus Corporation  
 Ph (262) 246-0500 Fax (262) 246-0450 www.picwire.com  
 PO Box 330 Sussex, WI 53089

Approved :   
 Distribution : USER

Date : 08/15/11  
 Rev : 4 (09/18/18)  
 Uncontrolled if Printed

**ARINC 600 Size 8 Pin Contact - 75 Ohm Interface***for PIC V78209***PERFORMANCE**

Impedance	75 Ohms
Frequency Range	0 - 3 GHz
Voltage Rating	325 V(rms)
Insulation Resistance	5000 Megohms
Dielectric Withstanding Voltage	750 V(rms)
VSWR (max)	1.3:1
Insertion Loss (max)	0.3 dB

**CONNECTOR WEIGHT (Each)**

0.19 ounces (5.44 grams)

**RoHS COMPLIANT**

Complies to RoHS Standards

**INSTALLATION (Tooling)****Center Contact**

M22520 / 1 - 01 Tool,  
 Selector @ # 4  
 Recommended Positioner :  
 PIC # 110657 ( Daniels # TP1681)

**Crimp Ferrule**

M22520 / 5 - 01 Tool,  
 Die Set M22520 / 5 - 45,  
 Cavity A (.231" hex)

**CONSTRUCTION****Materials:**

Body	Brass, ASTM-B16
Center Contact	Beryllium Copper, ASTM-B196
Ferrule	Brass, ASTM-B16, Dead Soft
Dielectric	TFE Fluorocarbon, ASTM-D1710

**Finish :**

Body / Ferrule	Gold
Center Contact	Gold

**APPLICATIONS**

ARINC 600

**Notes :**

1) Please refer to T-1909XX Termination Instruction sheet for strip dimensions & instructions.

2) Removal Tool P/N M81969/14-12