
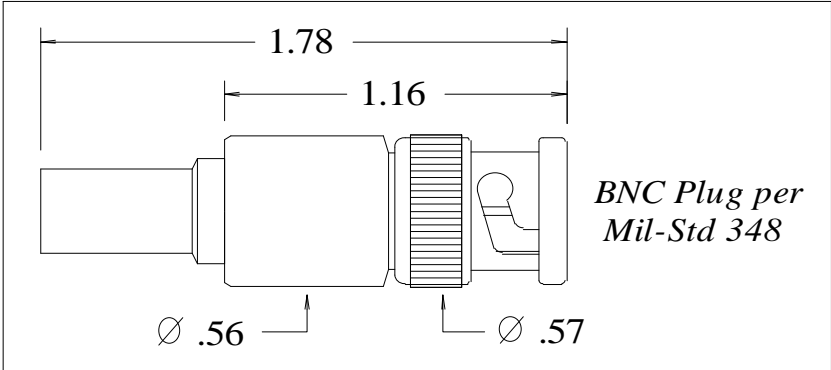


<b>PIC Wire &amp; Cable</b>	<b>Connector Specification</b>	<b>P/N 190512</b>
<i>A Division of the Angelus Corporation</i> Ph (262) 246-0500 Fax (262) 246-0450 www.picwire.com PO Box 330 Sussex, WI 53089	Approved : 	Date 07/01/97
	Distribution : USER	Rev. 6 (06/18/14)
		Uncontrolled Document

**BNC Straight Plug**  
for S67163



*Features Not Shown : Gasket in Front*

**PERFORMANCE**

Nominal Impedance	50 Ohms
Frequency Range	0 - 4 GHz
Voltage Rating	500 VRMS
Insulation Resistance	5000 Megohms

**CONNECTOR WEIGHT (Each)**

.85 ounces (24.09 grams)

**RoHS COMPLIANT**

Complies to RoHS Standards

**INSTALLATION**

<b>Pic Die Set</b>	<b>MIL Spec Die Set</b>
<i>Center Contact</i>	<i>Center Contact</i>
M22520 / 5 - 01 Tool, *PIC 190518A Hex Crimp Die (.098 hex)	M22520 / 5-01 Tool, MIL Spec *M22520 / 5-57 (.100 B hex)
<i>Crimp Ferrule</i>	<i>Crimp Ferrule</i>
M22520 / 5 - 01 Tool, *PIC 190518A Hex Crimp Die (.270/.340 hex)	M22520 / 5-01 Tool, MIL Spec *M22520 / 5-43 (.268 A hex)

**CONSTRUCTION**

<b>Materials:</b>	
Body	Brass, ASTM-B16, Alloy UNS 36000, H02
Center Contact	Brass, ASTM-B16, Alloy UNS 36000, H02
Ferrule	Brass, ASTM-B16, Alloy UNS 36000, Dead Soft, Weatherseals included
Dielectric	TFE Fluorocarbon, ASTM-D1710, Type 1, Grade 1

<b>Finish :</b>	
Body, Ferrule	Nickel
Center Contact	Gold

<b>Applicable Standards</b>	MIL-STD 348 MIL-PRF-39012
-----------------------------	------------------------------

- Notes :**
- 1) A 2.5" piece of Raychem ATUM heat shrink P/N ATUM-16/4-0 provided with connector for purpose of strain relief & moisture protection.
  - 2) Please refer to T-190XXX Termination Instruction sheet for strip dimensions & instructions.

\* Notes: 1. PIC 190518 Crimp Die Set superceded by PIC 190518A; either is acceptable for use with 190512 Connectors.  
2. MIL Spec die to be used on the smaller diameter area of ferrule only. Not the larger "Bell" area on end.