

*A Division of the Angelus Corporation*Ph (262) 246-0500 Fax (262) 246-0450 www.picwire.com
W220N1051 Springdale Road, Waukesha, WI 53186

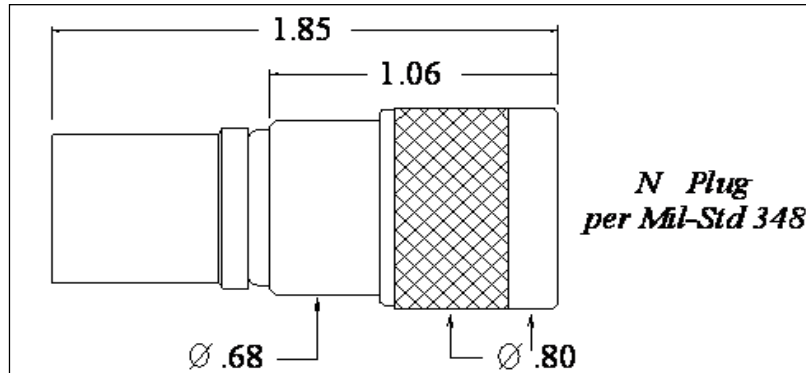
Approved : PFT

Date : 01/13/95

Rev. : 9 (05/18/21)

Distribution : USER

Uncontrolled if Printed

N Type Straight Plug
for S22089 & UH25107*Features Not Shown : Safety Wire Holes, Gasket in Front***PERFORMANCE**

Nominal Impedance	50 Ohms
Frequency Range	0 - 12 GHz
Voltage Rating	1000 VRMS
Insulation Resistance	5000 Megohms

CONNECTOR WEIGHT (Each)

1.68 ounces (47.63 grams)

RoHS COMPLIANT

Complies to RoHS Standards

INSTALLATION**Pic Die Set***Center Contact*M22520 / 5 - 01 Tool,
PIC 190418 Hex Crimp Die
(.132 hex)*Crimp Ferrule*M22520 / 5 - 01 Tool,
PIC 190418 Hex Crimp Die
(.523/.562 hex)**MIL Spec Die Set***Center Contact*M22520 / 5-01 Tool,
MIL Spec *M22520 / 5-04
(.138 A hex)*Crimp Ferrule*M22520 / 5-01 Tool,
MIL Spec *M22520 / 5-27
(.532 A hex)**CONSTRUCTION****Materials:**

Body	Brass, ASTM-B16, Alloy UNS 36000, H02
Center Contact	Brass, ASTM-B16, Alloy UNS 36000, H02
Ferrule	Brass, ASTM-B16, Alloy UNS 36000, Dead Soft, Weatherseals included
Dielectric	TFE Fluorocarbon, ASTM-D1710, Type 1, Grade 1

Finish :

Body, Ferrule	Nickel
Center Contact	Gold

Applicable StandardsMIL-STD 348
MIL-PRF-39012**Notes :**

- 1) A 2.5" piece of Raychem ATUM heat shrink P/N ATUM-19/6-0 provided with connector for purpose of strain relief & moisture protection.
- 2) Please refer to T-190XXX Termination Instruction sheet for strip dimensions & instructions for S22089 & T-UH25107 for UH25107.

* Note - MIL Spec die to be used on the smaller diameter area of ferrule only. Not the larger "Bell" area on end.