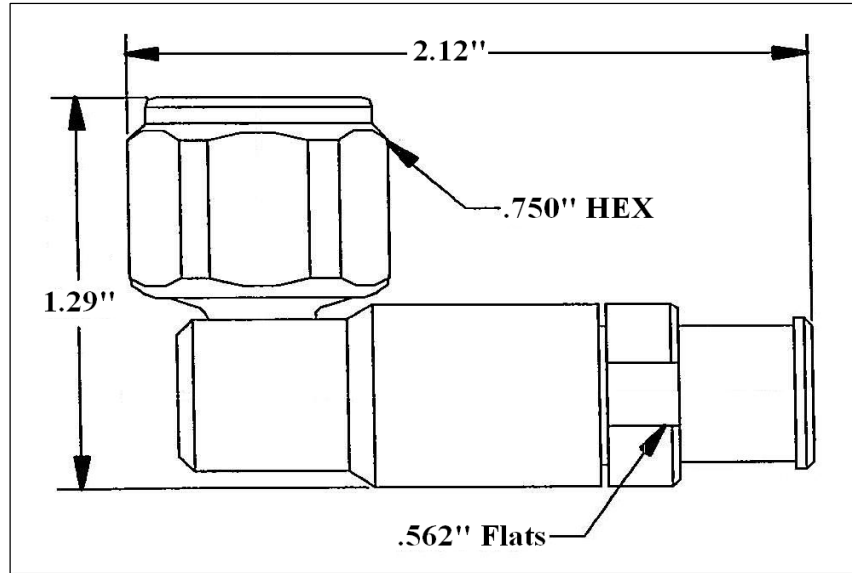


<b>PIC Wire &amp; Cable</b> <i>A Division of the Angelus Corporation</i> Ph 262-246-0500      Fax 262-246-0450 PO Box 330 Sussex, WI 53089	<b>Connector Specification</b>	<b>110612</b>
	Approved <i>M.E.J.</i>	Date 7/20/10 Rev. 1 (06/20/13)
	Distribution : USER	Uncontrolled Document

**N 90° Plug**  
for S29113



**PERFORMANCE**

Nominal Impedance	50 Ohms
Frequency Range	0 - 18 GHz
Voltage Rating	1500 VRMS

**CONNECTOR WEIGHT (Each)**

tbd

**RoHS COMPLIANT**

Complies to RoHS standards

**CONSTRUCTION**

**Materials:**

Body	Stainless Steel
Coupling Nut	Stainless Steel
Center Contact	Brass
Insulator	PTFE

**Finish :**

Center Contact	Gold
Body, Coupling Nut	Passivated

<i>Applicable Standards</i>	MIL-STD 348a MIL-PRF-39012
-----------------------------	-------------------------------

**Notes :**

1) Please refer to T-110612 Termination Instruction sheet for strip dimensions & instructions.