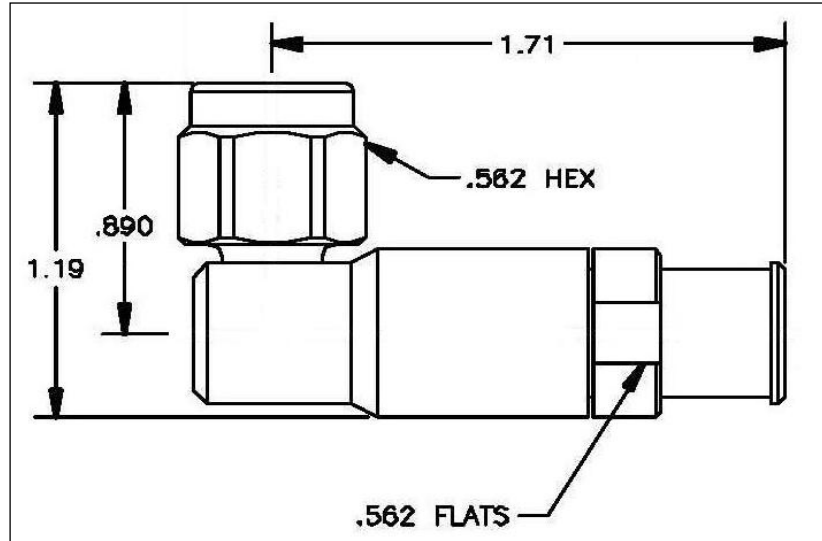


<b>PIC Wire &amp; Cable</b> <i>A Division of the Angelus Corporation</i> Ph 262-246-0500      Fax 262-246-0450 PO Box 330 Sussex, WI 53089	<b>Connector Specification</b>	<b>110524</b>
	Approved <i>MCT</i>	Date 01/08/2009
	Distribution : USER	Rev. 1 (06/25/13) Uncontrolled Document

**ETNC LRA Plug with safety wire holes**  
for S29113



**PERFORMANCE**

Nominal Impedance	50 Ohms
Frequency Range	DC - 18 GHz
Temperature Rating	- 65° to + 200° C

**CONNECTOR WEIGHT (Each)**

tbd

**RoHS COMPLIANT**

Complies to RoHS Standards

**INSTALLATION**

***Crimp Tooling:***

Solder-on Termination

**CONSTRUCTION**

***Materials:***

Body	Stainless Steel
Coupling Nut	Stainless Steel
Center Contact	Beryllium Copper
Insulator	PTFE
Gasket	Silicon Rubber

***Finish :***

Center Contact	Gold
----------------	------

***Applicable Standards***

MIL-C-87104/2  
MIL-STD 348A  
MIL-C-39012

***Notes :***

*1) Please refer to T-110524 Termination Instruction sheet for strip dimensions & instructions.*