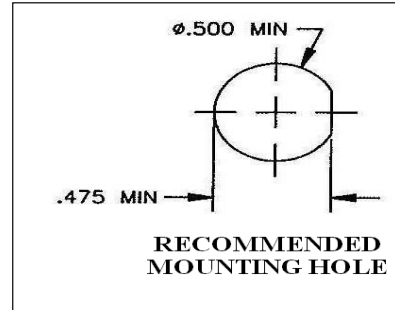
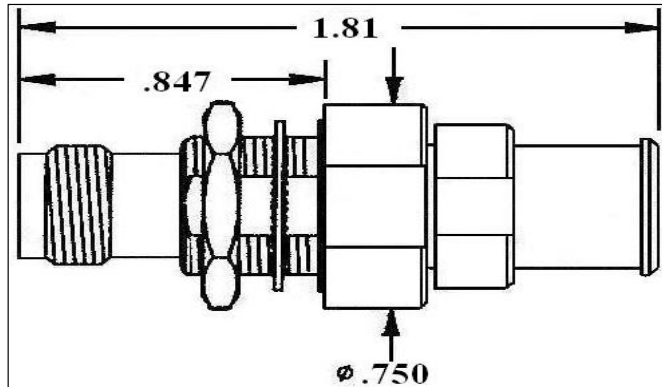


<b>PIC Wire &amp; Cable</b> <i>A Division of the Angelus Corporation</i> Ph 262-246-0500      Fax 262-246-0450 PO Box 330 Sussex, WI 53089	<b>Connector Specification</b>	<b>110516</b>
	Approved <i>MCJ</i>	Date 12/08/10 Rev. 1 (06/25/13)
	Distribution : USER	Uncontrolled Document

**ETNC Bulkhead Jack**  
for S29113 Cable



*Features Not Shown : Safety Wire Holes*

**PERFORMANCE**

Nominal Impedance      50 Ohms  
 Frequency Range        DC - 18 GHz  
 Temperature Rating     - 65° to + 200° C

**CONNECTOR WEIGHT (Each)**

tbd

**RoHS COMPLIANT**

Complies to RoHS Standards

**INSTALLATION**

Recommended Jam Nut Torque - 35 to 40 in. lbs.

***Crimp Tooling***

Solder-on Termination

**CONSTRUCTION**

***Materials:***

Body	Stainless Steel
Coupling Nut	Stainless Steel
Center Contact	Beryllium Copper
Dielectric	PTFE
Gasket	Silicon Rubber

***Finish :***

Body, Coupling Nut	Passivated
Center Contact	Gold

***Applicable Standards***

MIL-STD 348A  
 MIL-C-39012  
 MIL-C-87104/2

***Notes :***

- 1) A 1.5" piece of Raychem ATUM heat shrink P/N ATUM-12/3-0 provided with connector for purpose of strain relief & moisture protection.
- 2) Please refer to T-110516 Termination Instruction sheet for strip dimensions & instructions.