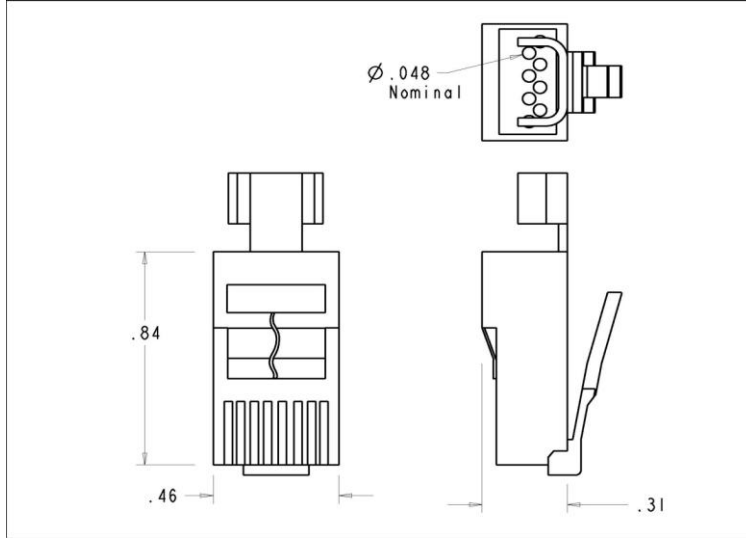


<b>PIC Wire &amp; Cable</b> <i>A Division of the Angelus Corporation</i> Ph 262-246-0500 Fax 262-246-0450 PO Box 330 Sussex, WI 53089	<b>Connector Specification</b>	<b>110360</b>
	Approved <i>MCT</i>	Date 6/27/06
	Distribution : USER	Rev. 2 (06/25/13) Uncontrolled Document

**RJ45 Plug Connector ,  
Shielded Cat 5**  
*for PIC E10424 High Speed Ethernet Cables*



**PERFORMANCE**

Meets Cat 5  
Reference EIA/TIA 568A

Current/Voltage : 1.5 Amps @ 30 VAC/42 VDC

Contact Resistance : 10 MilliOhms Max

**ENVIRONMENTAL**

Temperature Rating : -40 C to +70 C

Insertion/Extraction : 1000 Cycles

Flame Auto Extinguish : UL 94 V-0

**CONNECTOR WEIGHT (Each)**

0.11 ounces (3.12 grams)

**RoHS COMPLIANT (If purchased ater 1/1/06)**

Complies to RoHS Standards

**INSTALLATION**

*Crimp Tool* PIC P/N 110288

**CONSTRUCTION**

***Materials:***

Plug Housing : Polycarbonate, 94 V-0

Contacts : Phos Bronze

***Finish:***

Shield : Tinned

Contacts : Gold, 50 microinch min. gold over  
100 microinch min. Nickel

***Applicable Standards***

FCC 68  
Reference EIA/TIA 568A

***Notes :***

1) Please refer to T-110360 Termination Instruction sheet for strip dimensions & instructions.