
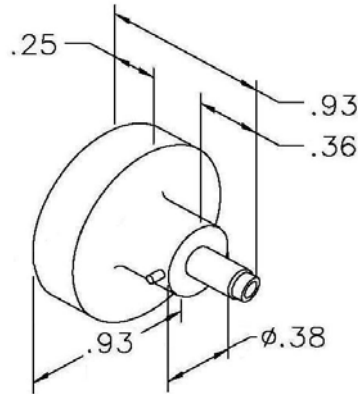


| | | |
|-----------------------------------------------------------------------------------------------------------------------------------------------------|---------------------------------------------------------------------------------------------|---------------|
| PIC Wire & Cable <i>A Division of the Angelus Corporation</i> Ph 262-246-0500 Fax 262-246-0450 PO Box 330 Sussex, WI 53089 | Tool Specification | 110201 |
| | Approved  | Date 03/05/10 |
| | Distribution : USER | Rev. 0 |

110201 Positioner

for use on contacts for 190801, 190802, and 190819



| |
|--------------------|
| LOCATOR |
| HOLE DIMENSIONS |
| ø.089 |
| ▽.345 |

For use with M22520/2-01 Contact Crimp Tool

Weight : 0.021 lbs nominal

Style : Contact Crimp Tool Positioner